

1. Product model / product:

Product: CV Boot Application Tool
Model/type: Duragun 2
Serial no. range: 210000 - 219999

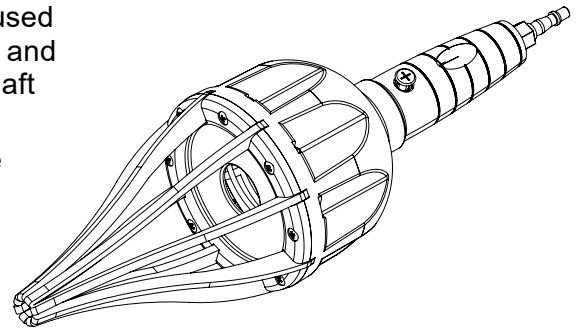
2. Manufacturer:

Name: Bailcast Ltd
Address: Unit 8 Chorley North Industrial Park, Chorley, Lancashire
PR6 7BX United Kingdom

3. This declaration is issued under the sole responsibility of the manufacturer.

4. Object of the declaration:

Product: A pneumatically powered device used to fit Bailcast™ stretchy Universal and Duraboot® CV boots onto drive-shaft assemblies.
With inbuilt, self-resetting pressure relief valve.



Specification: Air supply 4-8 bar (Max 9 bar)

5. The object of the declaration described above is in conformity with the relevant Union harmonisation legislation:

2006/42/EC | The Machinery Directive

6. References to the relevant harmonised standards used or references to the other technical specifications in relation to which conformity is declared:

EN ISO 12100 : 2010 | Safety of machinery. General principles for design. Risk assessment and risk reduction

EN ISO 4414 : 2010 | Pneumatic fluid power. General rules and safety requirements for systems and their components

7. Additional information:

The technical documentation for the machinery is available from:

Name: Insert Name
Address: Insert Address

Signed for and on behalf of Bailcast Ltd

Place of issue: Chorley, United Kingdom
Name: David Hartley
Function: Director
Date of issue: 1st January 2021

Signature:

